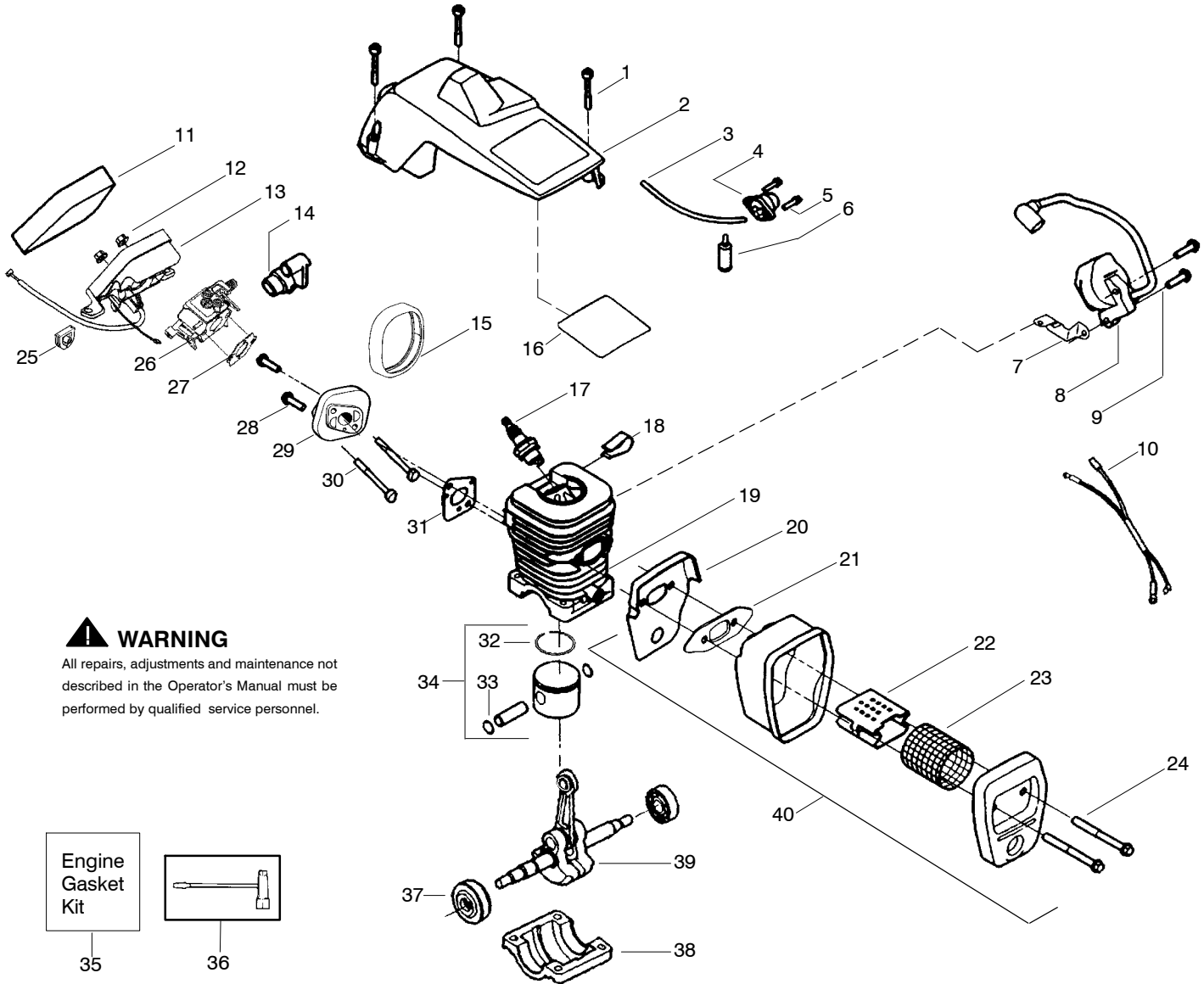


⚠ WARNING
All repairs, adjustments and maintenance not described in the Operator's Manual must be performed by qualified service personnel.

Ref.	Part No.	Description	Ref.	Part No.	Description	Ref.	Part No.	Description
1.	530059667	Assy.-Isolator	27.	530056402	Handle-Starter	52.	530047061	Assy.-Clutch Drum w/bearing
2.	530047608	Limiter Strap	28.	530027531	Spring-Recoil	53.	530015611	Washer-Clutch
3.	530059668	Spring-Isolator	29.	530015920	Screw	54.	530014949	Assy. Clutch
4.	530015158	Washer	30.	530015127	Washer-Flywheel	55.	530071259	Kit - Oil Pump (incl. 56,57,59)
5.	530016018	Screw	31.	530047534	Assy-Flywheel	56.	530037820	Gear-Worm Spring
6.	530015843	Screw	32.	530047192	Assy-Fuel Cap	57.	530049477	Elbow-Oil Pickup
7.	545048001	Front Handle	33.	530023877	Fitting-fuel line	58.	530016064	Screw
8.	530015940	Screw	34.	530069216	Kit-Fuel line (large)	59.	530019206	Seal Block
9.	530015814	Screw	35.	530016149	Spring-Switch	60.	530047663	Assy-Oil Pick-up (Incl. 61,62)
10.	530044899	Bar - 16"	36.	530015775	Screw	61.	530038373	Pick-up Oiler
11.	505369856	Chain - 16"	37.	530047581	Cover-Rear Handle	62.	530056533	Filter-Oil
12.	530014381	Kit-Spike (Incl. 13)	38.	530015886	Screw	63.	---	Assy.-Chain Brake
13.	530016439	Screw	39.	530015906	Screw		545139901	Gold
14.	530016132	Screw	40.	530036098	Throttle Lockout		545139902	Black
15.	530038238	Plate-Bar Mount.	41.	530036097	Trigger-Throttle	64.	530015917	Nut-Bar Mounting
16.	530015814	Screw	42.	545025001	Handle - Rear	65.	530015826	Pin-Bar Adjust
17.	530029850	Chain Catcher	43.	530071958	Kit-Isolator (Upper)	66.	530038593	Retainer
18.	530016133	Bolt-Bar	44.	530015875	Screw	67.	530069611	Kit-Bar Adjusting (incl. # 65,66)
19.	530057236	Assy-Oil Cap	45.	530059668	Spring-Isolator			
20.	530071666	Kit-Oil Vent	46.	530057473	Lever-Switch			
21.	530016134	Nut-Flywheel	47.	530057474	Lever-Choke			
22.	530016080	Screw	48.	530049005	Grommet-Knob			
23.	530037817	Starter Pulley	49.	530015922	Nut-"U"-Type			
24.	530015892	Screw	50.	---	Assy-Chassis (fuel lines and caps)			
25.	---	Housing-Fan						
	530049335	Gold		530058733	Gold			
	530054175	Black		530058730	Black			
26.	530069232	Kit - Rope	51.	530015907	Washer-Thrust			

↙ = NEW PART NUMBER FOR THIS IPL

★ = REFER TO THE SERVICE REFERENCE INDICATED FOR MORE INFORMATION. (LOCATED AT END OF IPL)



⚠ WARNING

All repairs, adjustments and maintenance not described in the Operator's Manual must be performed by qualified service personnel.

Ref.	Part No.	Description	Ref.	Part No.	Description	Ref.	Part No.	Description
1.	530016153	Screw	19.	530012552	Cylinder	35.	530069608	Kit-Engine Gasket (Incl. 21, 27 & 31)
2.	530055638	Assy-Cylinder Shield (includes # 16)	20.	530049870	Backplate-Muffler	36.	530031135	Scrench
3.	530069247	Kit-Fuel Line (Small)	21.	530069608	Gasket-Muffler(kit)	37.	530056363	Assy-Seal & Bearing
4.	530071835	Kit-Air Purge (incl. #5)	22.	530037813	Diffuser-Muffler	38.	530037935	Cap-Crankcase
5.	530015780	Screw	23.	530036103	Screen-Spark	39.	530047062	Assy-Crankshaft
6.	530095646	Assy-Fuel Pick-up	24.	530016132	Bolt-Muffler	40.	530047207	Assy-Muffler (Incl. 20,21,22,23,24)
7.	530047442	Strap-Ground	25.	530047631	Grommet-Throttle Cable	Not Shown		
8.	530039167	Ignition Module	26.	---	Kit-Carburetor	---	---	Manual
9.	530015814	Screw		530071820	Zama (W-20)	545123707		(English)
10.	530057475	Assy-Wire Harness		530071821	Walbro (WT-662)	545154161		(Euro 1)
11.	530037793	Foam-Air Filter	27.	530069608	Gasket-Carb. (kit)	545154162		(Russian)
12.	530016101	Nut	28.	530016386	Screw	545003001		Decal-Warning
13.	530057702	Assy-Air Box	29.	530049700	Carb. Adapter			
14.	530035526	Grommet-Carb Adjust	30.	530016187	Screw			
15.	530054144	Seal-Carb Adapter	31.	530069608	Gasket-Adaptor(kit)			
16.	530055698	Reflector-Heat	32.	530038729	Ring-Piston			
17.	952030150	Spark Plug (RCJ-7Y)	33.	530015697	Retainer-Piston Pin			
18.	530016136	Clip-High Tension Lead	34.	530069719	Kit-Piston (Incl. 32 & 33)			

↙ = NEW PART NUMBER FOR THIS IPL

★ = REFER TO THE SERVICE REFERENCE INDICATED FOR MORE INFORMATION. (LOCATED AT END OF IPL)